



mecalr 5"-10"

NON-IMMERSION HEADER TANKS

NON-IMMERSION HEADER TANKS

5"–10"

DESCRIPTION

Mecair manufactures a wide range of tanks for the pulse-jet dust collector filters, complying with the following European Directive: 97/23/CE (PED). Mecair also manufactures pressure vessels in accordance with the American Code, ASME VIII Div.1 ("U" and "UM" Stamp). Models of tanks manufactured are listed below as follows:

TANK TYPE A: with threaded stub pipes male Gas (for the 200 Series valves).

TANK TYPE B: with unthreaded stub pipes (for the 300 Series valves).

TANK TYPE D: with welded flanges (for the 600 and 700 Series valves).

HOW TO CHOOSE THE DIAMETER OF YOUR TANK

The tank volume must be proportional to the output capacity of the installed diaphragm valve:

1. Choose your Mecair diaphragm valve, according to needs.
2. Define tank length.
3. Using the table below, select the right tank diameter.
4. Write down the tank code.

NOTE: The diaphragm valves mentioned in this publication refer to the specific Mecair products catalogue. (VEM: diaphragm valve with remote pilot. VNP: diaphragm valve with integrated pilot.)

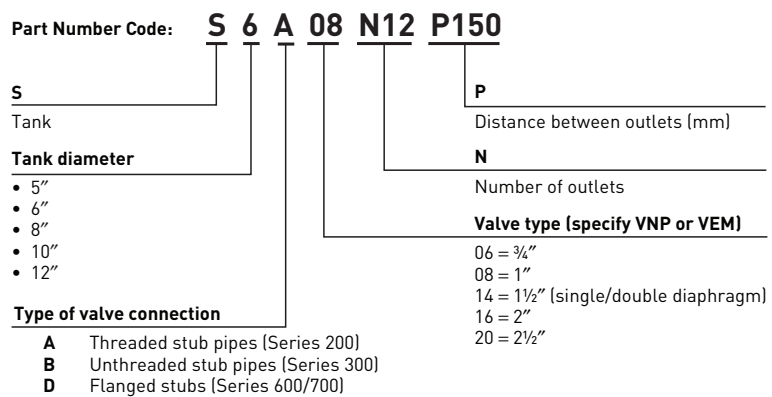
VALVE TYPE	1 MT.	1.5 MT.	2 MT.	3 MT.	4 MT.	5 MT.
VEM/VNP 206 - 306	6"	5"	5"	5"	5"	5"
VEM/VNP 208 - 308	6"	6"	6"	5"	5"	5"
VEM/VNP 214 - 314 - 608 - 708	8"	8"	6"	6"	6"	5"
VEM/VNP 216 - 614 - 714	10"	10"	10"	8"	6"	6"
VEM/VNP 220 - 616 - 716			10"	10"	8"	8"

HEADER TANK

The tanks manufactured by Mecair are designed for a maximum operating pressure of 8 bar. We suggest the installation of compressed-air filter units to ensure air supply is clean and dry. Tank diameters range from 5", 6", 8", 10", 12" to 14". All tanks are manufactured in accordance with the customer's requirements.

NOTE: add "F" at the end of the key for tank with flat end caps (only on request).

HOW TO ORDER



NON-IMMERSION HEADER TANKS

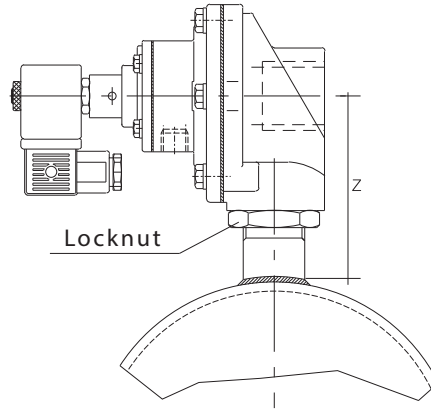
5"-10"

TANK TYPE "A" WITH THREADED STUB PIPES GAS OR NPT MALE

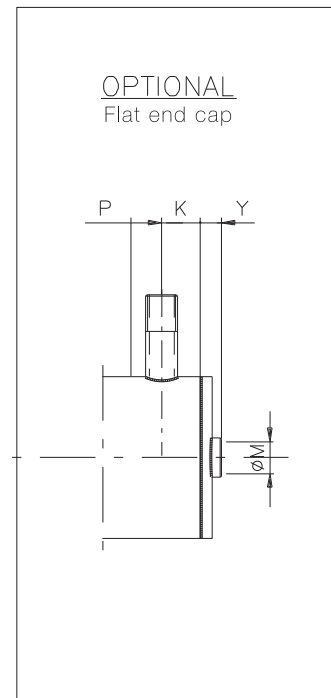
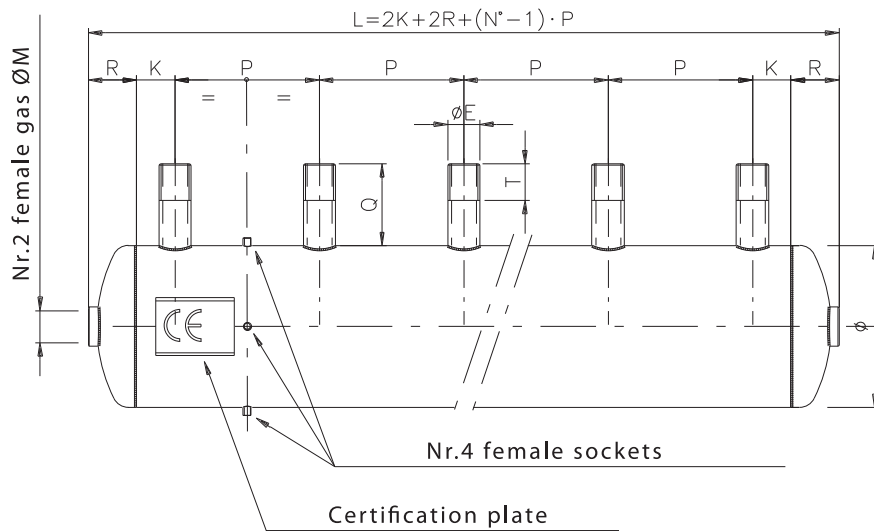
TANK type "A" with threaded stub pipe connections is suitable for mounting the **200 Series** valves.

Available outlet diameters: 3/4", 1", 1 1/2", 2" and 2 1/2".

NOTE: Always use the locknut, position the valve, then tighten the locknut.



L	$2K + 2R + (No. - 1) \times P$
No.	No. of connections
P	Distance between connections



Ø NOM.	Ø EXT.	No. VALVES	Ø M	P min.	P	K min.	K	R	Y	Ø TANK	Ø E GAS	Q	T	Z (±1)
5"	141.3	(*)	1"	150	(*)	40 (*)	(*)	50	15	5"/6"	3/4"	85	40	112
6"	168.3	(*)	1"	150	(*)	40 (*)	(*)	50	15	5"/6"	1"	85	40	120
8"	219.1	(*)	1 1/2"	150	(*)	40 (*)	(*)	70	18	5"/6"/8"	1 1/2"	85	40	136
10"	273.0	(*)	1 1/2"	280	(*)	65	(*)	90	18	8"	2"	85	40	150
										8"/10"	2 1/2"	85	40	175

(*) Dimensions to be set by designer.
Tanks are painted in light blue RAL 5012 (other colours optional).

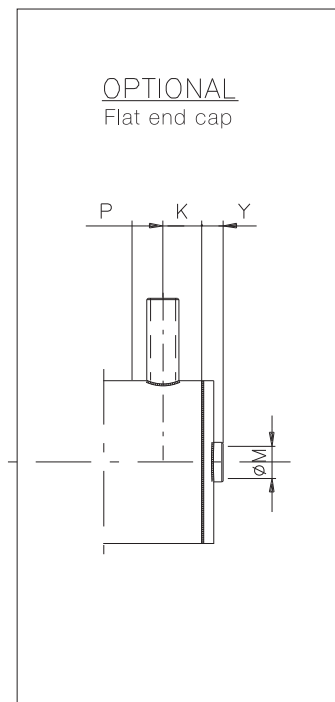
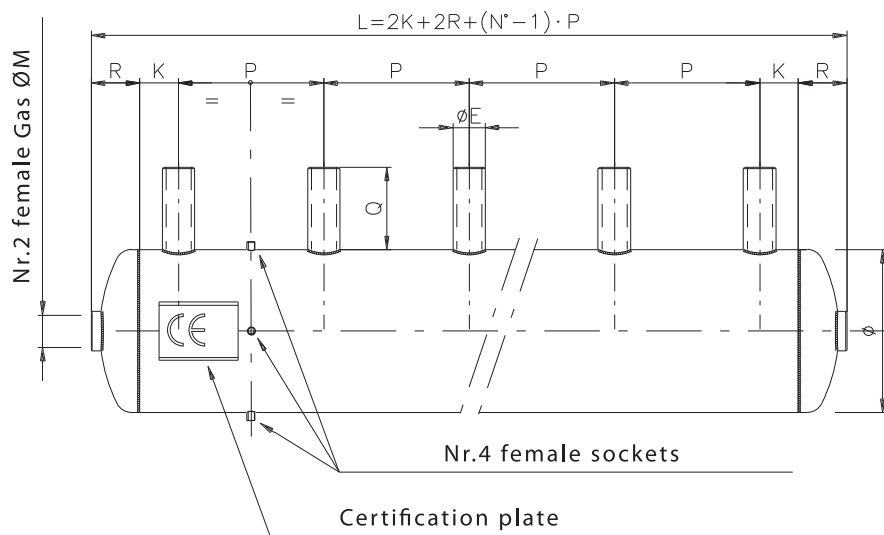
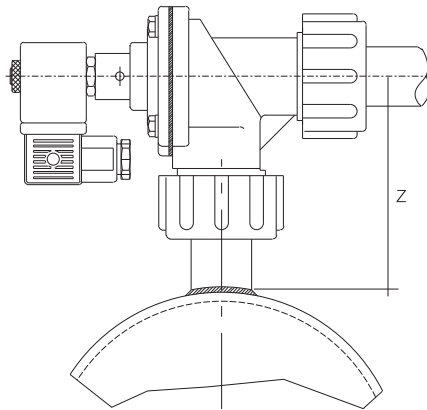
NON-IMMERSION HEADER TANKS

5"-10"

TANK TYPE "B" WITH UNTHREADED STUB PIPES

TANK type "B" with unthreaded stub pipe connections is suitable for mounting the **300 Series** valves. Available outlet diameters: 3/4", 1", 1 1/2".

L	$2K + 2R + (\text{No.} - 1) \times P$
No.	No. of connections
P	Distance between connections



Ø NOM.	Ø EXT.	No. VALVES	Ø M	P min.	P	K min.	K	R	Y	Ø TANK	Ø E GAS	Q	Z
5"	141.3	(*)	1"	150	(*)	40 (*)	(*)	50	15	5"/6"	3/4"	85	125
6"	168.3	(*)	1"	150	(*)	40 (*)	(*)	50	15	5"/6"	1"	85	133
8"	219.1	(*)	1 1/2"	150	(*)	40 (*)	(*)	70	18	5"/6"/8"	1 1/2"	85	138
10"	273.0	(*)	1 1/2"	150	(*)	65	(*)	90	18				

(*) Dimensions to be set by designer.
Tanks are painted in light blue RAL 5012 (other colours optional).

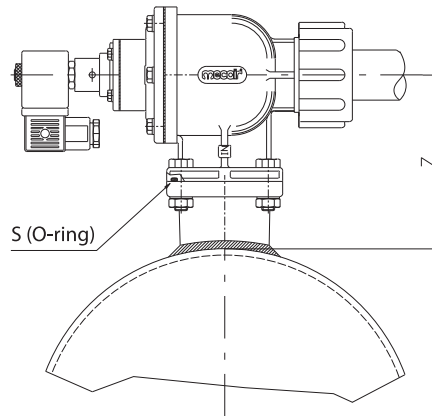
NON-IMMERSION HEADER TANKS

5"-10"

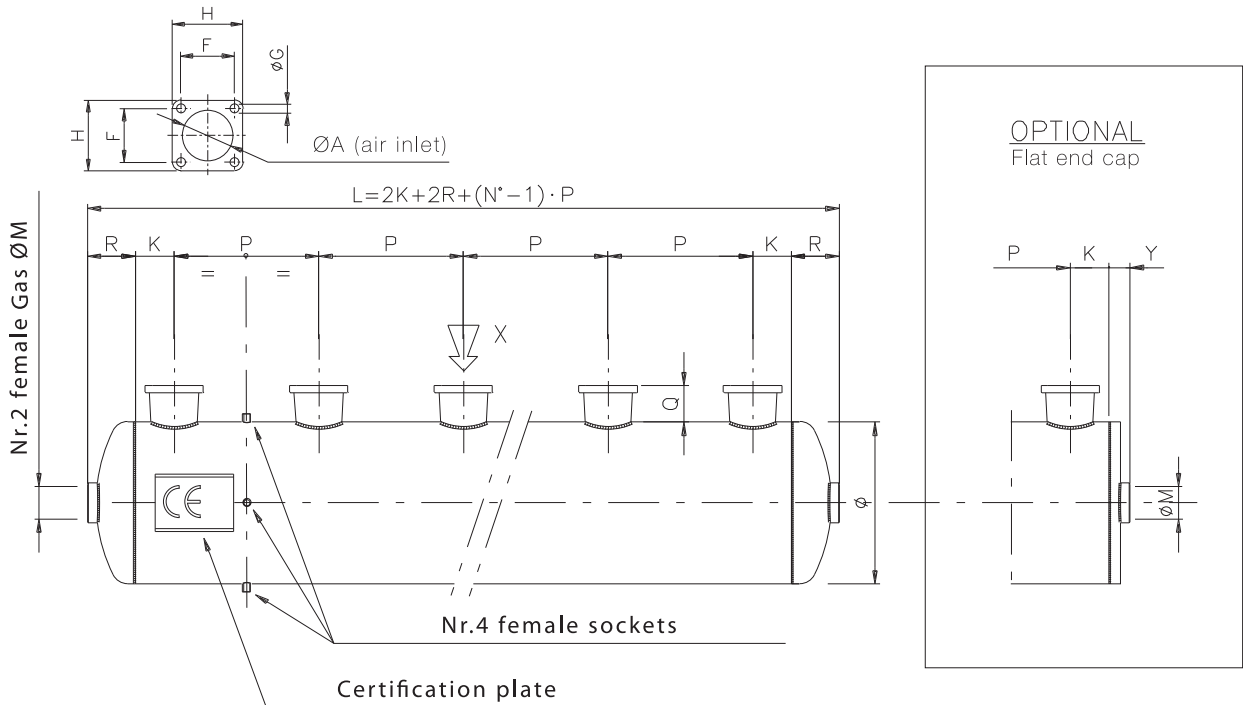
TANK TYPE "D" WITH FLANGED STUB PIPES

TANK type "D" with flanged stub pipe connections is suitable for mounting the **600** and **700 Series** valves. Full range of sizes available.

NB: Tank type "D" fully equipped with VNP series 600 and/or 700 valves.



L	$2K + 2R + (\text{No.} - 1) \times P$
No.	No. of connections
P	Distance between connections



Ø NOM.	Ø EXT.	Ø M	P	K min.	R	Q
5"	141.3	1"	(*)	50	50	45
6"	168.3	1"	(*)	50	50	45
8"	219.1	1½"	(*)	50	70	45
10"	273.0	2"	(*)	50	100	48

FLANGE	F	Ø G	H	Ø A	Z	S
FL08	60	9	83	2"	133	OR6250
FL14	72	11.5	95	2½"	148	OR178
FL16	85	13.5	110	3"	162	OR6350
FL20	94	13.5	120	3½"	177	OR189

(*) Dimensions to be set by designer.
Tanks are painted in light blue RAL 5012 (other colours optional).



CLEANAIRSYSTEMS.COM

© 2014 Pentair Clean Air Systems reserves the right to change product designs and specifications without notice.